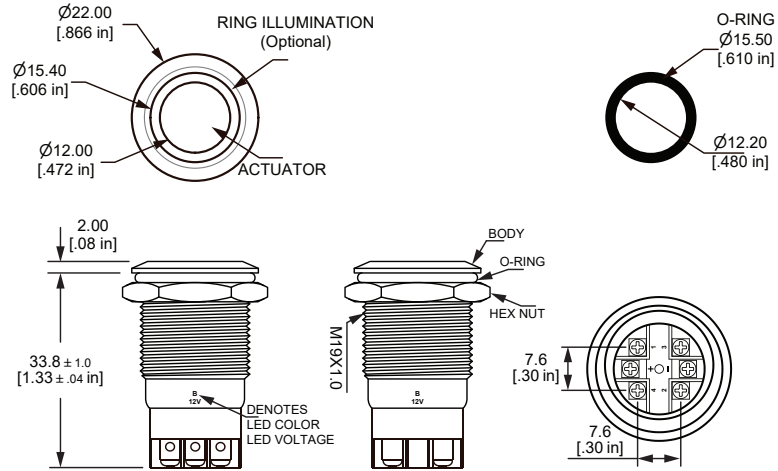
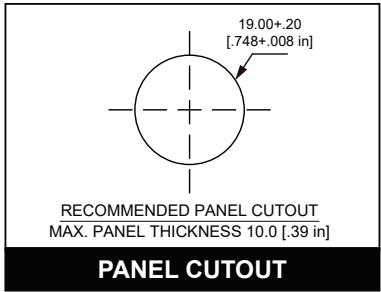


NO = Normally open  
NC = Normally closed

Terminals (-) and (+) used with illum. option only



		PART NO.: 73935
ANTI-VANDAL SWITCH		
FUNCTION	1NO1NC MOMENTARY	
SIZE	19MM	
CURRENT	2A: 250VAC, 3A: 30VDC	
FINISH	STAINLESS	
ILLUMINATION / VOLTAGE	RING LED BLUE 12V	
TERMINAL	SCREW	
PROTECTION	IP65 / IK10	
AUGUST 2024		
DIAGRAM NOT TO SCALE		